



MCP1630
Low-Cost NiMH
Battery Charger
Reference Design

Note the following details of the code protection feature on Microchip devices:

- Microchip products meet the specification contained in their particular Microchip Data Sheet.
- Microchip believes that its family of products is one of the most secure families of its kind on the market today, when used in the intended manner and under normal conditions.
- There are dishonest and possibly illegal methods used to breach the code protection feature. All of these methods, to our knowledge, require using the Microchip products in a manner outside the operating specifications contained in Microchip's Data Sheets. Most likely, the person doing so is engaged in theft of intellectual property.
- Microchip is willing to work with the customer who is concerned about the integrity of their code.
- Neither Microchip nor any other semiconductor manufacturer can guarantee the security of their code. Code protection does not mean that we are guaranteeing the product as "unbreakable."

Code protection is constantly evolving. We at Microchip are committed to continuously improving the code protection features of our products. Attempts to break Microchip's code protection feature may be a violation of the Digital Millennium Copyright Act. If such acts allow unauthorized access to your software or other copyrighted work, you may have a right to sue for relief under that Act.

Information contained in this publication regarding device applications and the like is provided only for your convenience and may be superseded by updates. It is your responsibility to ensure that your application meets with your specifications. MICROCHIP MAKES NO REPRESENTATIONS OR WARRANTIES OF ANY KIND WHETHER EXPRESS OR IMPLIED, WRITTEN OR ORAL, STATUTORY OR OTHERWISE, RELATED TO THE INFORMATION, INCLUDING BUT NOT LIMITED TO ITS CONDITION, QUALITY, PERFORMANCE, MERCHANTABILITY OR FITNESS FOR PURPOSE. Microchip disclaims all liability arising from this information and its use. Use of Microchip devices in life support and/or safety applications is entirely at the buyer's risk, and the buyer agrees to defend, indemnify and hold harmless Microchip from any and all damages, claims, suits, or expenses resulting from such use. No licenses are conveyed, implicitly or otherwise, under any Microchip intellectual property rights.

Trademarks

The Microchip name and logo, the Microchip logo, Accuron, dsPIC, KEELOQ, KEELOQ logo, microID, MPLAB, PIC, PICmicro, PICSTART, PRO MATE, PowerSmart, rfPIC, and SmartShunt are registered trademarks of Microchip Technology Incorporated in the U.S.A. and other countries.


AmpLab, FilterLab, Linear Active Thermistor, Migratable Memory, MXDEV, MXLAB, PS logo, SEEVAL, SmartSensor and The Embedded Control Solutions Company are registered trademarks of Microchip Technology Incorporated in the U.S.A.

Analog-for-the-Digital Age, Application Maestro, CodeGuard, dsPICDEM, dsPICDEM.net, dsPICworks, ECAN, ECONOMONITOR, FanSense, FlexROM, fuzzyLAB, In-Circuit Serial Programming, ICSP, ICEPIC, Mindi, MiWi, MPASM, MPLAB Certified logo, MPLIB, MPLINK, PICkit, PICDEM, PICDEM.net, PICLAB, PICtail, PowerCal, PowerInfo, PowerMate, PowerTool, REAL ICE, rFLAB, rfPICDEM, Select Mode, Smart Serial, SmartTel, Total Endurance, UNI/O, WiperLock and ZENA are trademarks of Microchip Technology Incorporated in the U.S.A. and other countries.

SQTP is a service mark of Microchip Technology Incorporated in the U.S.A.

All other trademarks mentioned herein are property of their respective companies.

© 2007, Microchip Technology Incorporated, Printed in the U.S.A., All Rights Reserved.

 Printed on recycled paper.

Microchip received ISO/TS-16949:2002 certification for its worldwide headquarters, design and wafer fabrication facilities in Chandler and Tempe, Arizona, Gresham, Oregon and Mountain View, California. The Company's quality system processes and procedures are for its PIC[®] MCUs and dsPIC[®] DSCs, KEELOQ[®] code hopping devices, Serial EEPROMs, microperipherals, nonvolatile memory and analog products. In addition, Microchip's quality system for the design and manufacture of development systems is ISO 9001:2000 certified.

**QUALITY MANAGEMENT SYSTEM
CERTIFIED BY DNV
== ISO/TS 16949:2002 ==**



MCP1630 LOW-COST NIMH BATTERY CHARGER REFERENCE DESIGN

Table of Contents

Preface	1
Introduction.....	1
Document Layout	1
Conventions Used in this Guide	2
Recommended Reading.....	3
The Microchip Web Site	3
Customer Support	3
Document Revision History	4
Chapter 1. Product Overview	5
1.1 Introduction	5
1.2 What is the MCP1630 Low Cost NiMH Battery Charger Reference Design?	6
1.3 What the MCP1630 Low Cost NiMH Battery Charger Reference Design Kit includes	6
Chapter 2. Installation and Operation	7
2.1 Introduction	7
2.2 Features	7
2.3 Getting Started	8
Appendix A. Schematic and Layouts	11
A.1 Introduction	11
A.2 Board – Schematic.....	12
A.3 Board – Top Silk Layer	13
A.4 Board – Top Metal Layer	14
A.5 Board – Bottom Metal Layer	15
Appendix B. Bill Of Materials (BOM)	17
Appendix C. Demo Board Firmware	19
C.1 Device Firmware Flowchart - Page 1	19
C.2 Device Firmware Flowchart - Page 2	20
Worldwide Sales and Service	22

MCP1630 Low-Cost NiMH Battery Charger Reference Design

NOTES:



MCP1630 LOW-COST NIMH BATTERY CHARGER REFERENCE DESIGN

Preface

NOTICE TO CUSTOMERS

All documentation becomes dated, and this manual is no exception. Microchip tools and documentation are constantly evolving to meet customer needs, so some actual dialogs and/or tool descriptions may differ from those in this document. Please refer to our web site (www.microchip.com) to obtain the latest documentation available.

Documents are identified with a “DS” number. This number is located on the bottom of each page, in front of the page number. The numbering convention for the DS number is “DSXXXXA”, where “XXXX” is the document number and “A” is the revision level of the document.

For the most up-to-date information on development tools, see the MPLAB® IDE on-line help. Select the Help menu, and then Topics to open a list of available on-line help files.

INTRODUCTION

This chapter contains general information that will be useful to know before using the MCP1630 Low-Cost NiMH Battery Charger Reference Design. Items discussed in this chapter include:

- Document Layout
- Conventions Used in this Guide
- Recommended Reading
- The Microchip Web Site
- Customer Support
- Document Revision History

DOCUMENT LAYOUT

This document describes how to use the MCP1630 Low-Cost NiMH Battery Charger Reference Design as a development tool. The manual layout is as follows:

- **Chapter 1. “Product Overview”** – Important information about the MCP1630 Low-Cost NiMH Battery Charger Reference Design.
- **Chapter 2. “Installation and Operation”** – Includes instructions on how to get started with this user’s guide and a description of how to use the MCP1630 Low-Cost NiMH Battery Charger Reference Design.
- **Appendix A. “Schematic and Layouts”** – Shows the schematic and layout diagrams for the MCP1630 Low-Cost NiMH Battery Charger Reference Design.
- **Appendix B. “Bill Of Materials (BOM)”** – Lists the parts used to build the MCP1630 Low-Cost NiMH Battery Charger Reference Design.
- **Appendix C. “Demo Board Firmware”** – Provides information about the application firmware and source code.

MCP1630 Low-Cost NiMH Battery Charger Reference Design

CONVENTIONS USED IN THIS GUIDE

This manual uses the following documentation conventions:

DOCUMENTATION CONVENTIONS

Description	Represents	Examples
Arial font:		
Italic characters	Referenced books	<i>MPLAB[®] IDE User's Guide</i>
	Emphasized text	...is the <i>only</i> compiler...
Initial caps	A window	the Output window
	A dialog	the Settings dialog
	A menu selection	select Enable Programmer
Quotes	A field name in a window or dialog	"Save project before build"
Underlined, italic text with right angle bracket	A menu path	<u><i>File>Save</i></u>
Bold characters	A dialog button	Click OK
	A tab	Click the Power tab
N'Rnnnn	A number in verilog format, where N is the total number of digits, R is the radix and n is a digit.	4'b0010, 2'hF1
Text in angle brackets < >	A key on the keyboard	Press <Enter>, <F1>
Courier New font:		
Plain Courier New	Sample source code	#define START
	Filenames	autoexec.bat
	File paths	c:\mcc18\h
	Keywords	_asm, _endasm, static
	Command-line options	-Opa+, -Opa-
	Bit values	0, 1
	Constants	0xFF, 'A'
Italic Courier New	A variable argument	<i>file.o</i> , where <i>file</i> can be any valid filename
Square brackets []	Optional arguments	mcc18 [options] <i>file</i> [options]
Curly brackets and pipe character: { }	Choice of mutually exclusive arguments; an OR selection	errorlevel {0 1}
Ellipses...	Replaces repeated text	var_name [, var_name...]
	Represents code supplied by user	void main (void) { ... }

RECOMMENDED READING

This user's guide describes how to use MCP1630 Low-Cost NiMH Battery Charger Reference Design. Other useful documents are listed below. The following Microchip documents are available and recommended as supplemental reference resources.

MCP1630/MCP1630V Data Sheet, "High-Speed, Microcontroller-Adaptable, Pulse Width Modulator" (DS21896)

This data sheet provides detailed information regarding the MCP1630/MCP1630V product family.

PIC12F683 Data Sheet, "8-Pin Flash-Based, 8-Bit CMOS Microcontrollers with Nano Watt Technology" (DS41211)

This data sheet provides detailed information regarding the PIC12F683 product family.

AN960 Application Note, "New Components and Design Methods Bring Intelligence to Battery Charger Applications" (DS00960)

THE MICROCHIP WEB SITE

Microchip provides online support via our web site at www.microchip.com. This web site is used as a means to make files and information easily available to customers. Accessible by using your favorite Internet browser, the web site contains the following information:

- **Product Support** – Data sheets and errata, application notes and sample programs, design resources, user's guides and hardware support documents, latest software releases and archived software
- **General Technical Support** – Frequently Asked Questions (FAQs), technical support requests, online discussion groups, Microchip consultant program member listing
- **Business of Microchip** – Product selector and ordering guides, latest Microchip press releases, listing of seminars and events, listings of Microchip sales offices, distributors and factory representatives

CUSTOMER SUPPORT

Users of Microchip products can receive assistance through several channels:

- Distributor or Representative
- Local Sales Office
- Field Application Engineer (FAE)
- Technical Support

Customers should contact their distributor, representative or field application engineer for support. Local sales offices are also available to help customers. A listing of sales offices and locations is included in the back of this document.

Technical support is available through the web site at: <http://support.microchip.com>

MCP1630 Low-Cost NiMH Battery Charger Reference Design

DOCUMENT REVISION HISTORY

Revision A (February 2007)

- Initial Release of this Document.

Chapter 1. Product Overview

1.1 INTRODUCTION

The MCP1630 Low-Cost NiMH Battery Charger Reference Design is used to charge three series cell NiMH or NiCd batteries. The board uses the MCP1630 high-speed analog PWM and PIC12F683 to generate the charge algorithm for NiMH or NiCd batteries.

The MCP1630 Low-Cost NiMH Battery Charger Reference Design is used to evaluate Microchip's MCP1630 in a SEPIC power converter application. As provided, the MCP1630 Low-Cost NiMH Battery Charger Reference Design is capable of charging a three series cell NiMH battery pack from an input voltage of 6V to 14V. The MCP1630 Low-Cost NiMH Battery Charger Reference Design provides a constant current charge with preconditioning, cell temperature monitoring and battery pack fault monitoring. Also, the charger provides a status or fault indication. The MCP1630 Low-Cost NiMH Battery Charger Reference Design automatically detects the insertion or removal of a battery pack.

This chapter covers the following topics.

- What is the MCP1630 Low Cost NiMH Battery Charger Reference Design?
- What the MCP1630 Low Cost NiMH Battery Charger Reference Design Kit includes.

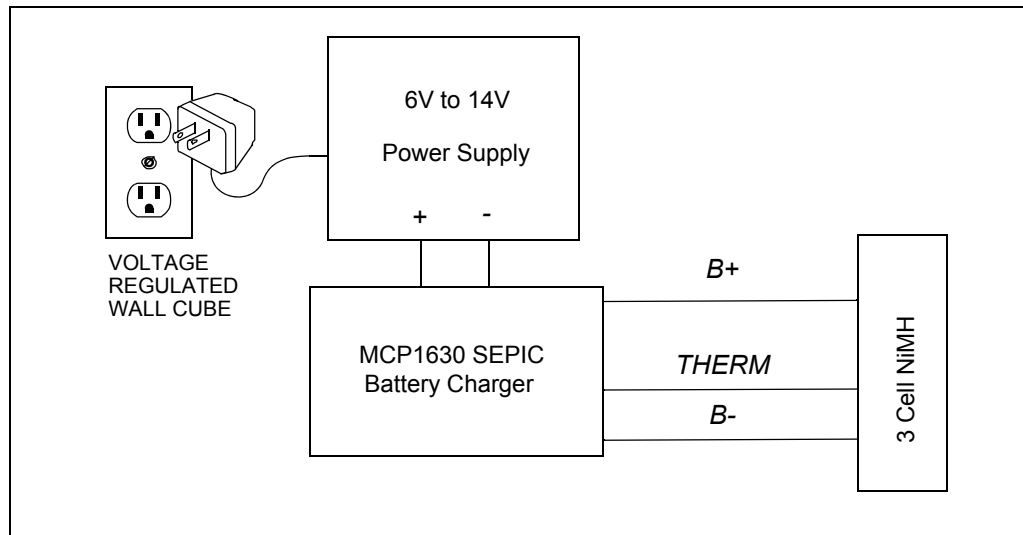


FIGURE 1-1: MCP1630 Low Cost NiMH Battery Charger Reference Design Block Diagram.

MCP1630 Low-Cost NiMH Battery Charger Reference Design

1.2 WHAT IS THE MCP1630 LOW COST NIMH BATTERY CHARGER REFERENCE DESIGN?

The MCP1630 Low-Cost NiMH Battery Charger Reference Design is a complete stand-alone constant current battery charger for a three series cell NiMH or NiCd battery pack. Different battery chemistries (i.e. Li-Ion batteries connected in series) can be charged with minor modifications to the firmware or with the MCP1630 Low-Cost NiMH Battery Charger Reference Design. This board utilizes Microchip's MCP1630 (high-speed PIC[®] MCU PWM MSOP8), MCP6292 (Dual op-amp MSOP8), and PIC12F683 (Flash MCU SOIC8). The input voltage range for the demo board is 6V to 14V. The output is capable of charging at a fast charge rate of 1.3A constant current.

An input terminal block is provided to apply the input voltage to the charger. An output header is also provided as a means to connect the external battery pack or simulated battery load and external 10K thermistor. A programming header is available for updating the firmware contained in the PIC12F683.

1.3 WHAT THE MCP1630 LOW COST NIMH BATTERY CHARGER REFERENCE DESIGN KIT INCLUDES

This MCP1630 Low Cost NiMH Battery Charger Reference Design kit includes:

- The MCP1630 Low-Cost NiMH Battery Charger Reference Design Board, (102-00127)
- Analog and Interface Products Demonstration Boards CD-ROM (DS21912)
 - MCP1630 Low-Cost NiMH Battery Charger Reference Design User's Guide, (DS51648)

Chapter 2. Installation and Operation

2.1 INTRODUCTION

The MCP1630 Low-Cost NiMH Battery Charger Reference Design demonstrates Microchip's high-speed Pulse Width Modulator (PWM) (the MCP1630) used in a battery charger application. When used in conjunction with a microcontroller, the MCP1630 will control the power system duty cycle to provide output voltage or current regulation. The PIC12F683 microcontroller can be used to regulate output voltage or current, switching frequency and maximum duty cycle. The MCP1630 generates duty cycle and provides fast overcurrent protection based off various external inputs. External signals include the input oscillator, the reference voltage, the feedback voltage and the current sense. The output signal is a square-wave pulse. The power train used for the MCP1630 Low-Cost NiMH Battery Charger Reference Design is a Single-Ended Primary Inductive Converter (SEPIC). The PIC12F683 microcontroller is programmable, allowing the user to modify or develop their own firmware routines to further evaluate the MCP1630 Low-Cost NiMH Battery Charger Reference Design in this application.

2.2 FEATURES

The MCP1630 Low-Cost NiMH Battery Charger has the following features:

- Programmed parameters - modified in firmware
- Factory Settings:
 - Preconditioning Charge Current = 170 mA
 - Preconditioning Threshold = 3V
 - Constant Current Fast Charge = 1.35A
 - Charge Termination based on $\Delta V_{BATT} / \Delta t$
 - Charge Termination based on $\Delta T_{BATT} / \Delta t$, with external thermistor installed
- Top Off Charge Current = 130 mA for 1 Hour
- Overvoltage protection (battery removed)
- Overcharge protection to prevent damaging the battery
- Overcurrent protection in the event of a shorted battery
- Battery reversal protection
- Input short circuit protection
- Overtemperature protection to prevent the battery from reaching too high a temperature during charge
- Soft-start capability by holding the reference voltage low during power-up
- The MCP1630 Low-Cost NiMH Battery Charger has the flexibility to optimize the charging algorithm for new battery technology, different battery chemistries or different battery pack configurations
- Proprietary features can be added by modifying the firmware contained in the PIC12F683
- The factory-programmed source code is available
- Ability to adapt to environmental effects, such as ambient temperature

MCP1630 Low-Cost NiMH Battery Charger Reference Design

2.3 GETTING STARTED

The MCP1630 Low-Cost NiMH Battery Charger is fully assembled and tested for charging three series cell NiMH batteries. The charge termination is based on a negative slope in battery voltage or a positive slope in battery pack temperature, (when external thermistor is installed). This board requires the use of an external voltage source to charge the series connected batteries with a range of +6V to +14V input. An external load and thermistor is also required to evaluate the charger reference design.

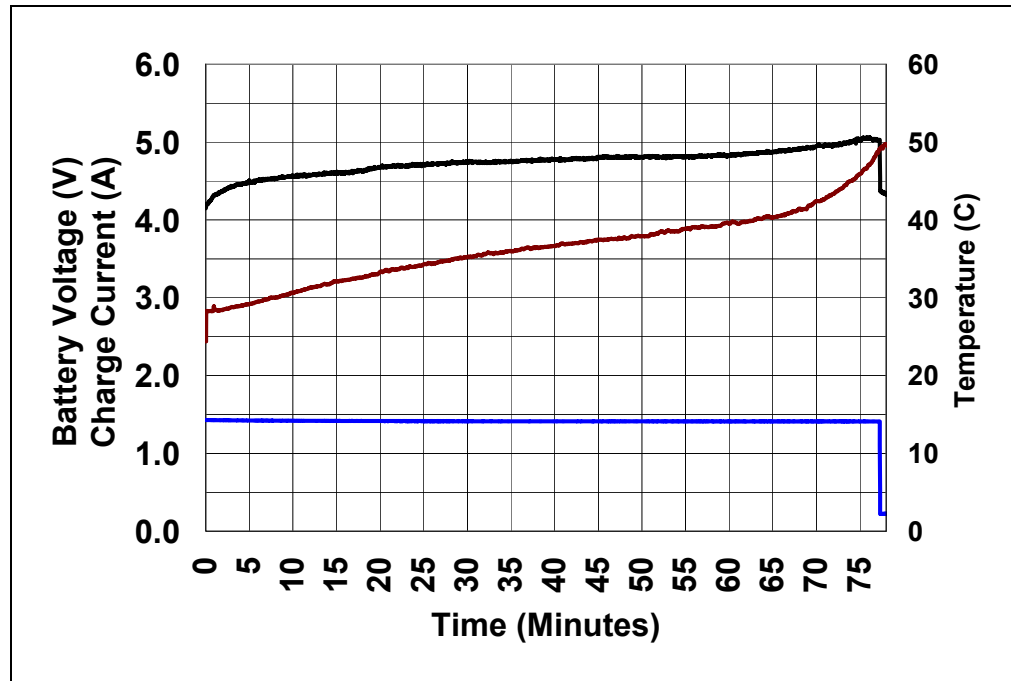


FIGURE 2-1: MCP1630 Low-Cost NiMH Battery Charger Reference Design Charge Profile.

2.3.1 Power Input and Output Connection

2.3.1.1 POWERING THE MCP1630 LOW-COST NIMH BATTERY CHARGER

1. Apply the input voltage to the input terminal block, J1. The input voltage source should be limited to the 0V to +14V range. For nominal operation the input voltage should be between +6V and +14V.
2. Connect the positive side of the input source (+) to pin 1 of J1. Connect the negative or return side (-) of the input source to pin 2 of J1. Refer to Figure 2-2.

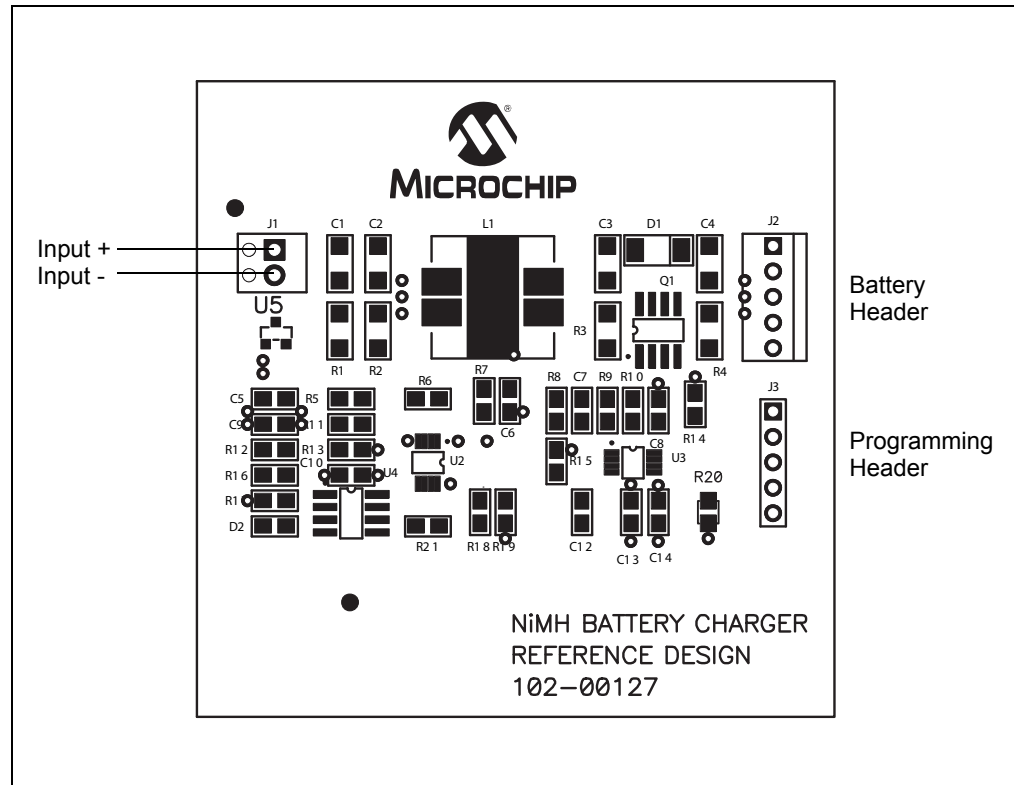


FIGURE 2-2: Setup Configuration Diagram.

2.3.1.2 APPLYING A LOAD TO THE MCP1630 LOW-COST NIMH BATTERY CHARGER REFERENCE DESIGN

1. To apply a load to the MCP1630 Low-Cost Li-Ion Battery Charger, the positive side of the load (B+) should be connected to pin 1 of J2. The negative side of the load (B-) should be connected to pin 5 of J2. Care should be taken when using electronic loads or ground referenced loads.
2. A thermistor referenced to (B-) in the battery pack should be utilized, recommended EPCOS Inc. PN B57509m103A5. If a thermistor is not available or not desired, a 10 k Ω resistor should be placed between pins 4 and 5 of the battery header (J2).
3. The installed firmware will prevent the board from entering the 1.3A Fast Charge mode, if the battery terminal voltage is less than 2V. During power-up, the board will always trickle charge first, so using a purely resistive load will not work for trickle and fast-charge current. The best way to evaluate the charger is to use a three series cell NiMH 2,200 mA/hour batteries, or the recommended simulated battery load. Refer to Figure 2-3 before applying a load to the MCP1630 Low-Cost NiMH Battery Charger Reference Design.

MCP1630 Low-Cost NiMH Battery Charger Reference Design

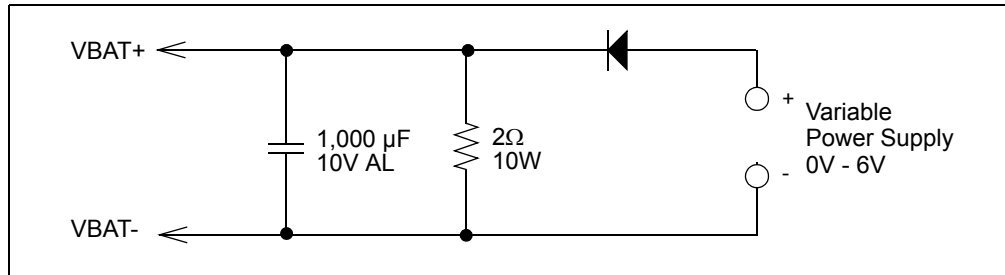


FIGURE 2-3: Simulated Battery Load.

2.3.1.3 STATUS LED

1. The MCP1630 Low-Cost NiMH Battery Charger has an LED to indicate charge status or fault status. Table 2-1 represents the state of the LED during various states of the charge cycle.

TABLE 2-1: STATUS OUTPUT

CHARGE CYCLE STATE	LED
Qualification	OFF
Preconditioning	ON
Constant Current Fast Charge	ON
Top Off Charge	ON
Charge Complete	OFF
Safety Timer Fault	Flashing (2 Hz, 50% duty cycle)
Cell Temperature Invalid	Flashing (1 Hz, 50% duty cycle)
Battery Disconnected	OFF
Input Power Removed	OFF

2.3.1.4 PROGRAMMING

Header J3 is provided for in-system circuit programming.



MCP1630 LOW-COST NIMH BATTERY CHARGER REFERENCE DESIGN

Appendix A. Schematic and Layouts

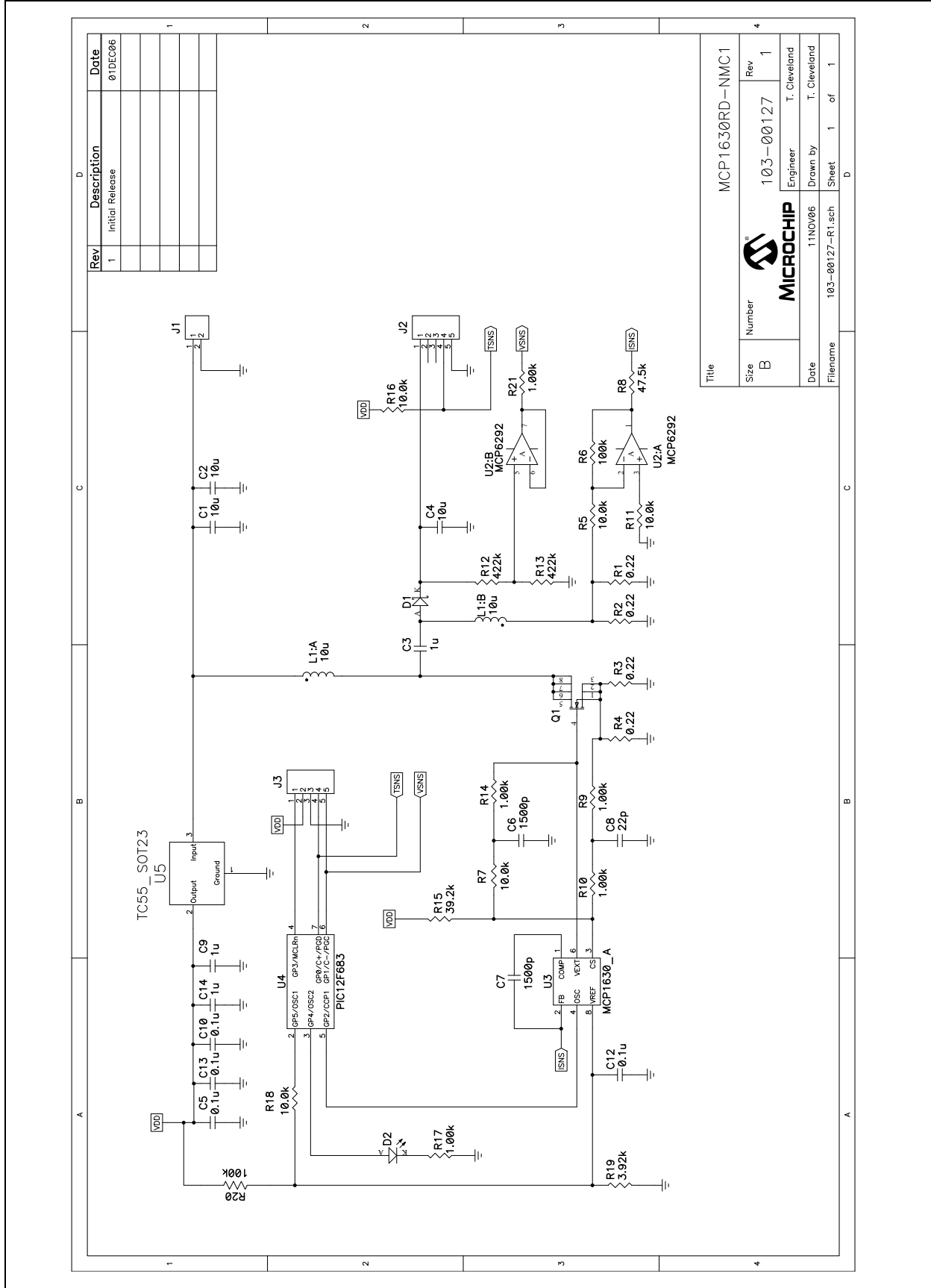
A.1 INTRODUCTION

This appendix contains the following schematics and layouts for the MCP1630 Low-Cost NiMH Battery Charger Reference Design:

- Board Schematic
- Board – Top Silk Layer
- Board – Top Metal Layer
- Board – Bottom Silk Layer
- Board – Bottom Metal Layer

MCP1630 Low-Cost NiMH Battery Charger Reference Design

A.2 BOARD – SCHEMATIC

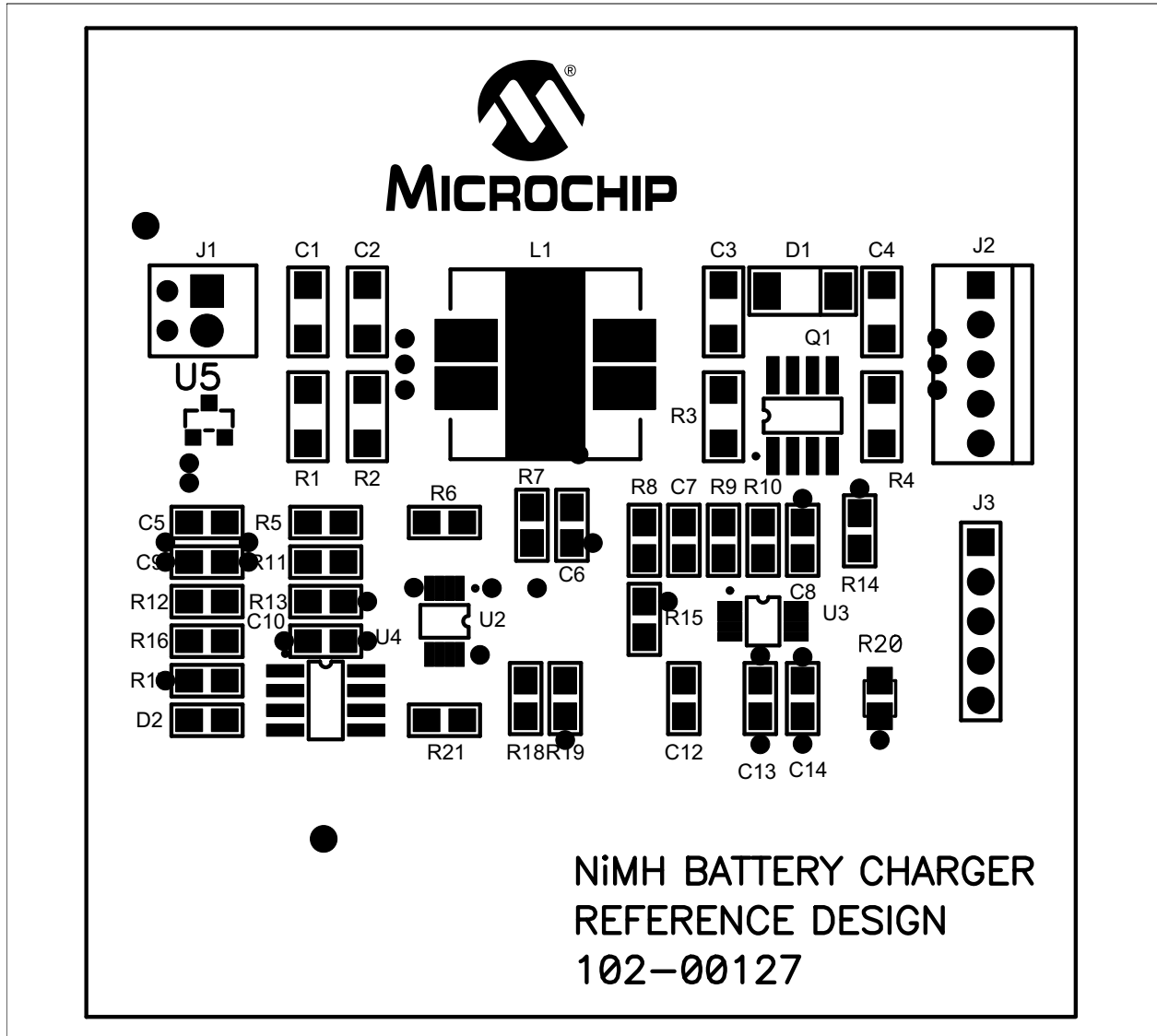


Rev	Description	Date
1	Initial Release	01DEC06

Title		MCP1630RD-NMC1	
Size	Number	Rev	1
B	103-00127	Engineer	T. Cleveland
Date	1.1NOV06	Drawn by	T. Cleveland
Filename	103-00127-R1.sch	Sheet	1 of 1

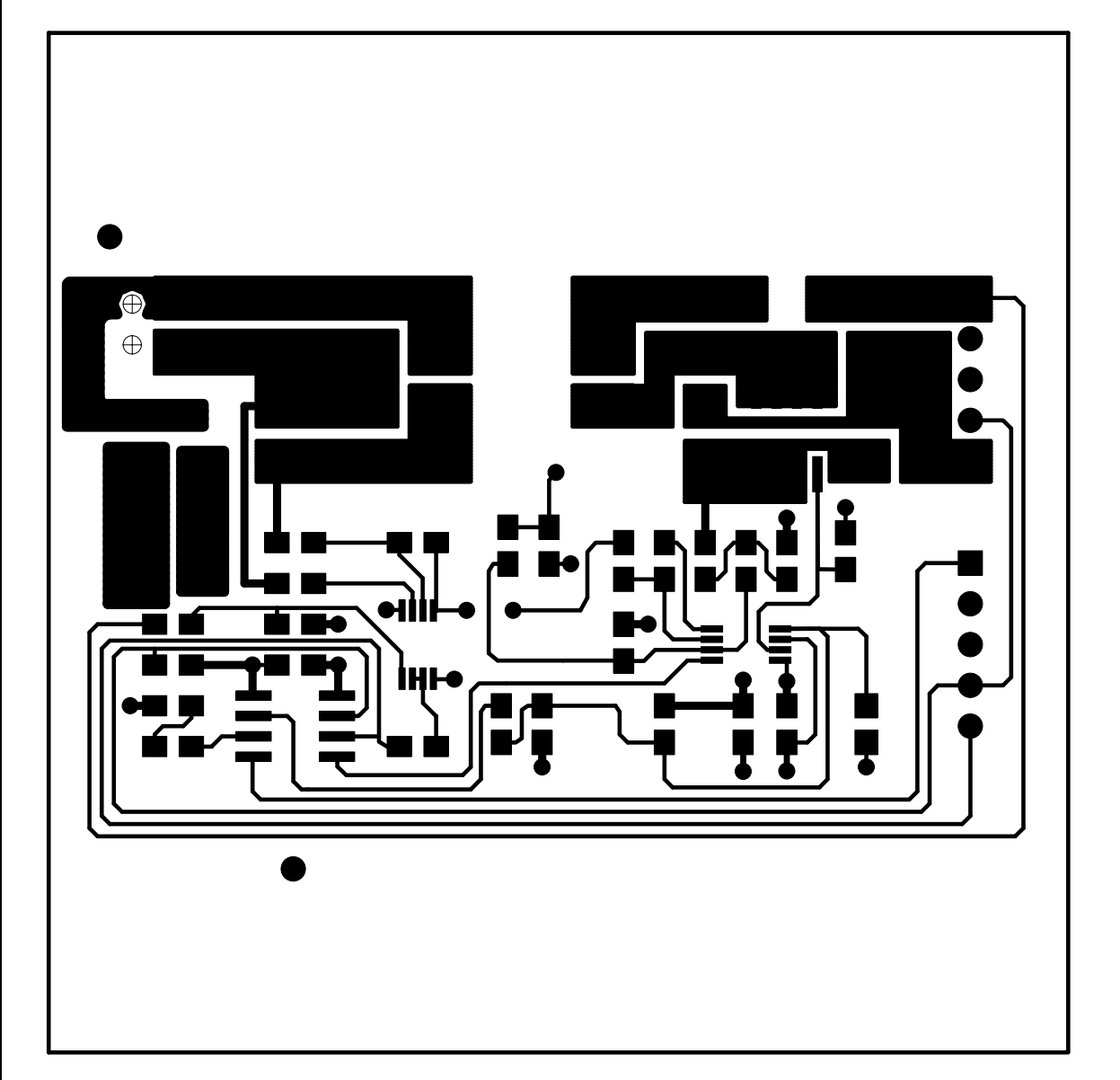


A.3 BOARD – TOP SILK LAYER

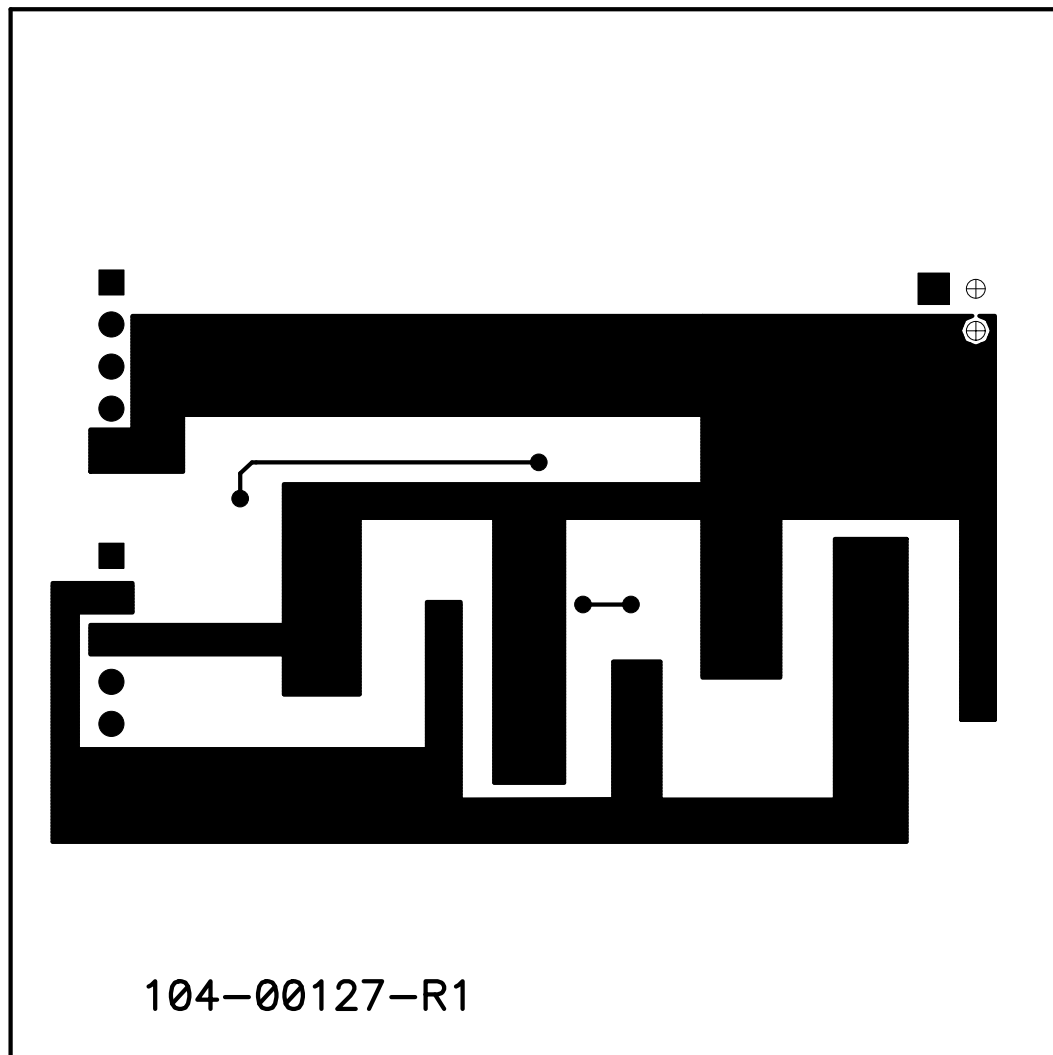


MCP1630 Low-Cost NiMH Battery Charger Reference Design

A.4 BOARD – TOP METAL LAYER



A.5 BOARD – BOTTOM METAL LAYER



MCP1630 Low-Cost NiMH Battery Charger Reference Design

NOTES:

Appendix B. Bill Of Materials (BOM)

TABLE B-1: BILL OF MATERIALS (BOM)

Qty	Reference	Description	Manufacturer	Part Number
3	C1, C2, C4	10uF, X5R Ceramic, 25V, 1206	Panasonic®-ECG	ECJ-3YB1E106M
1	C3	1uF, X7R Ceramic, 25V, 1206	Panasonic-ECG	ECJ-3YB1E105K
5	C5, C10, C12, C13	0.1uF, X7R Ceramic, 16V, 0805	Panasonic-ECG	ECJ-2VB1C104K
2	C6, C7	1500pF, X7R Ceramic, 100V, 0805	Panasonic-ECG	ECJ-2VB2A152K
1	C8	22pF, NPO Ceramic, 50V, 0805	Panasonic-ECG	ECJ-2VC1H220J
2	C9, C14	1uF, X5R Ceramic, 16V, 0805	Panasonic-ECG	ECJ-2FB1C105K
1	D1	3.0A, 30V Schottky Diode, SMA	Toshiba	CMS01 (TE12L)
1	D2	Green LED, 0805	Lumex® Opto	SML-LXT0805GW-TR
1	J1	Connector Terminal Block, 2 Pos., 2.54mm, TB254-2	Phoenix Contact	1725656
1	J2	Connector Header, 5 Pos., 2.54mm, Friction Lock, HDR1X5-FL	Molex	22-23-2051
1	J3	Connector Header, 5 Pos., 2.54mm, HDR1X5	Molex	22-03-2051
1	L1	10uH, Coupled Inductor, DRQ127	Coiltronics	DRQ127-100
1	PCB	RoHS Compliant Bare PCB, MCP1630 Low-Cost NiMH Battery Charger Reference Design	—	104-000127
1	Q1	N-Channel MOSFET, SOIC8	International Rectifier	IRF7807V
4	R1, R2, R3, R4	0.22, 1/4W, Chip Resistor, 1206	Panasonic-ECG	ERJ-8RQFR22V
4	R5, R7, R11, R16, R18	10.0k, 1/10W, Chip Resistor, 0805	Panasonic-ECG	ERJ-6ENF1002V
1	R6, R20	100k, 1/10W, Chip Resistor, 0805	Panasonic-ECG	ERJ-6ENF1003V
1	R8	47.5k, 1/10W, Chip Resistor, 0805	Panasonic-ECG	ERJ-6ENF4752V
5	R9, R10, R14, R17, R21	1.00k, 1/10W, Chip Resistor, 0805	Panasonic-ECG	ERJ-6ENF1001V
2	R12, R13	422k, 1/10W, Chip Resistor, 0805	Panasonic-ECG	ERJ-6ENF4223V
1	R15 ,R19	39.2k, 1/10W, Chip Resistor, 0805	Panasonic-ECG	ERJ-6ENF3922V
1	U2	Dual Operational Amplifier 10MHz, MSOP8	Microchip Technology Inc	MCP6292-E/MS
1	U3	PWM Building Block, MSOP8	Microchip Technology Inc	MCP1630-E/MS
1	U4	Enhanced FLASH Microcontroller, SOIC8	Microchip Technology Inc	PIC12F683-I/SN
1	U5	5.0V, 250mA, Voltage Regulator, SOT23	Microchip Technology Inc	MCP17025002E/CB

Note 1: The components listed in this Bill of Materials are representative of the PCB assembly. The released BOM used in manufacturing uses all RoHS-compliant components.

MCP1630 Low-Cost NiMH Battery Charger Reference Design

NOTES:

Appendix C. Demo Board Firmware

C.1 DEVICE FIRMWARE FLOWCHART - PAGE 1

For the latest copy of the MCP1630 Low-Cost NiMH Battery Charger Reference Design firmware, visit our website at www.microchip.com.

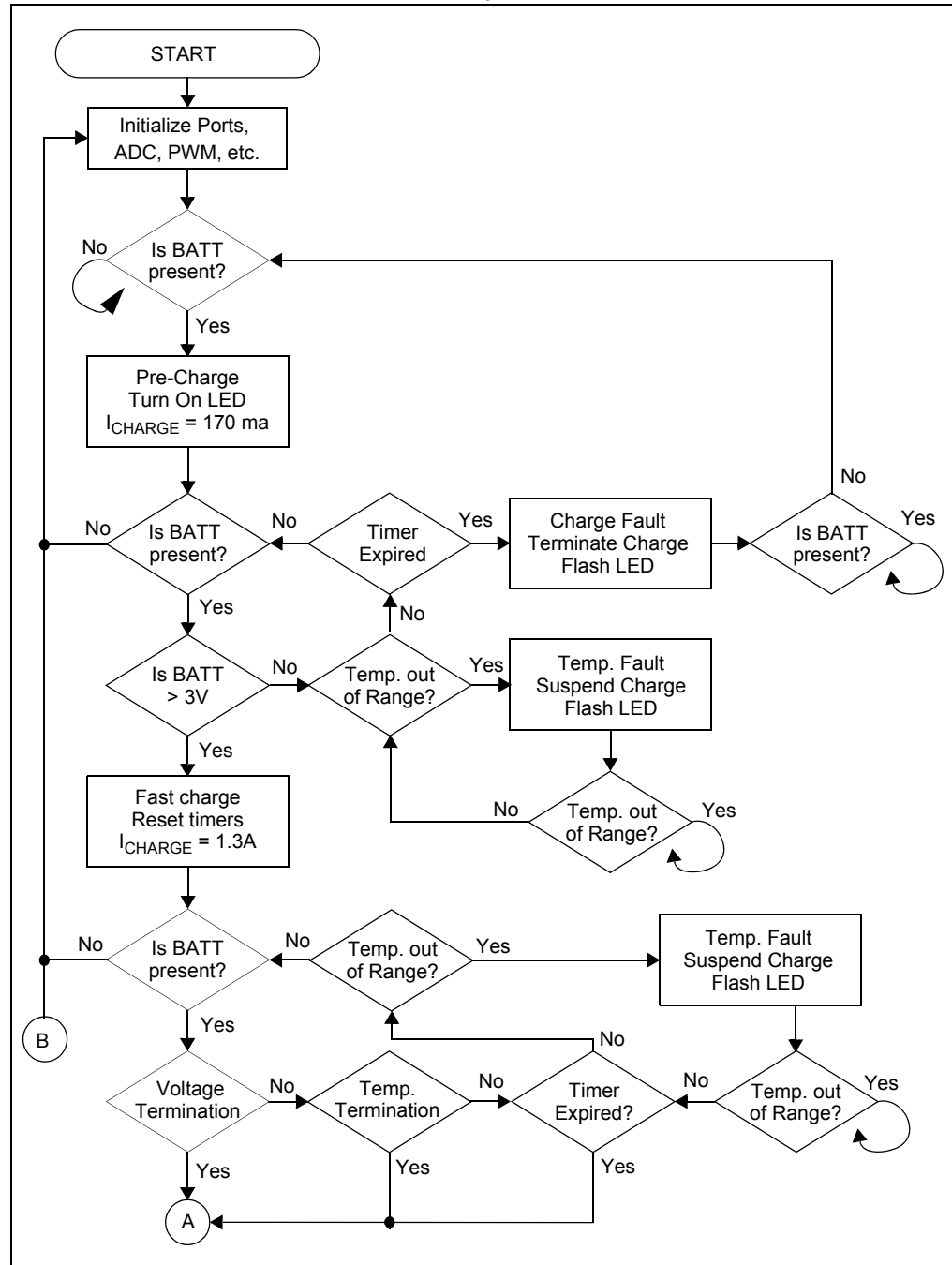


FIGURE C-1: Firmware Flowchart, page 1.

C.2 DEVICE FIRMWARE FLOWCHART - PAGE 2

For the latest copy of the MCP1630 Low-Cost NiMH Battery Charger Reference Design firmware, visit our website at www.microchip.com.

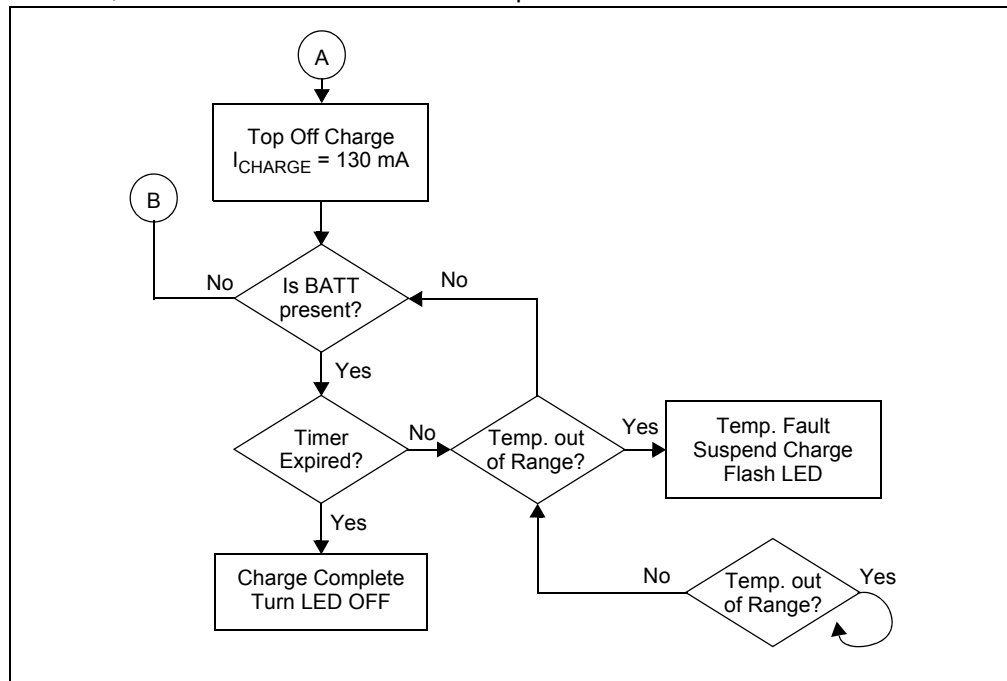


FIGURE C-2: Firmware Flowchart, page 2.

NOTES:



WORLDWIDE SALES AND SERVICE

AMERICAS

Corporate Office
2355 West Chandler Blvd.
Chandler, AZ 85224-6199
Tel: 480-792-7200
Fax: 480-792-7277
Technical Support:
<http://support.microchip.com>
Web Address:
www.microchip.com

Atlanta
Duluth, GA
Tel: 678-957-9614
Fax: 678-957-1455

Boston
Westborough, MA
Tel: 774-760-0087
Fax: 774-760-0088

Chicago
Itasca, IL
Tel: 630-285-0071
Fax: 630-285-0075

Dallas
Addison, TX
Tel: 972-818-7423
Fax: 972-818-2924

Detroit
Farmington Hills, MI
Tel: 248-538-2250
Fax: 248-538-2260

Kokomo
Kokomo, IN
Tel: 765-864-8360
Fax: 765-864-8387

Los Angeles
Mission Viejo, CA
Tel: 949-462-9523
Fax: 949-462-9608

Santa Clara
Santa Clara, CA
Tel: 408-961-6444
Fax: 408-961-6445

Toronto
Mississauga, Ontario,
Canada
Tel: 905-673-0699
Fax: 905-673-6509

ASIA/PACIFIC

Asia Pacific Office
Suites 3707-14, 37th Floor
Tower 6, The Gateway
Harbour City, Kowloon
Hong Kong
Tel: 852-2401-1200
Fax: 852-2401-3431

Australia - Sydney
Tel: 61-2-9868-6733
Fax: 61-2-9868-6755

China - Beijing
Tel: 86-10-8528-2100
Fax: 86-10-8528-2104

China - Chengdu
Tel: 86-28-8665-5511
Fax: 86-28-8665-7889

China - Fuzhou
Tel: 86-591-8750-3506
Fax: 86-591-8750-3521

China - Hong Kong SAR
Tel: 852-2401-1200
Fax: 852-2401-3431

China - Qingdao
Tel: 86-532-8502-7355
Fax: 86-532-8502-7205

China - Shanghai
Tel: 86-21-5407-5533
Fax: 86-21-5407-5066

China - Shenyang
Tel: 86-24-2334-2829
Fax: 86-24-2334-2393

China - Shenzhen
Tel: 86-755-8203-2660
Fax: 86-755-8203-1760

China - Shunde
Tel: 86-757-2839-5507
Fax: 86-757-2839-5571

China - Wuhan
Tel: 86-27-5980-5300
Fax: 86-27-5980-5118

China - Xian
Tel: 86-29-8833-7250
Fax: 86-29-8833-7256

ASIA/PACIFIC

India - Bangalore
Tel: 91-80-4182-8400
Fax: 91-80-4182-8422

India - New Delhi
Tel: 91-11-4160-8631
Fax: 91-11-4160-8632

India - Pune
Tel: 91-20-2566-1512
Fax: 91-20-2566-1513

Japan - Yokohama
Tel: 81-45-471-6166
Fax: 81-45-471-6122

Korea - Gumi
Tel: 82-54-473-4301
Fax: 82-54-473-4302

Korea - Seoul
Tel: 82-2-554-7200
Fax: 82-2-558-5932 or
82-2-558-5934

Malaysia - Penang
Tel: 60-4-646-8870
Fax: 60-4-646-5086

Philippines - Manila
Tel: 63-2-634-9065
Fax: 63-2-634-9069

Singapore
Tel: 65-6334-8870
Fax: 65-6334-8850

Taiwan - Hsin Chu
Tel: 886-3-572-9526
Fax: 886-3-572-6459

Taiwan - Kaohsiung
Tel: 886-7-536-4818
Fax: 886-7-536-4803

Taiwan - Taipei
Tel: 886-2-2500-6610
Fax: 886-2-2508-0102

Thailand - Bangkok
Tel: 66-2-694-1351
Fax: 66-2-694-1350

EUROPE

Austria - Wels
Tel: 43-7242-2244-39
Fax: 43-7242-2244-393

Denmark - Copenhagen
Tel: 45-4450-2828
Fax: 45-4485-2829

France - Paris
Tel: 33-1-69-53-63-20
Fax: 33-1-69-30-90-79

Germany - Munich
Tel: 49-89-627-144-0
Fax: 49-89-627-144-44

Italy - Milan
Tel: 39-0331-742611
Fax: 39-0331-466781

Netherlands - Drunen
Tel: 31-416-690399
Fax: 31-416-690340

Spain - Madrid
Tel: 34-91-708-08-90
Fax: 34-91-708-08-91

UK - Wokingham
Tel: 44-118-921-5869
Fax: 44-118-921-5820